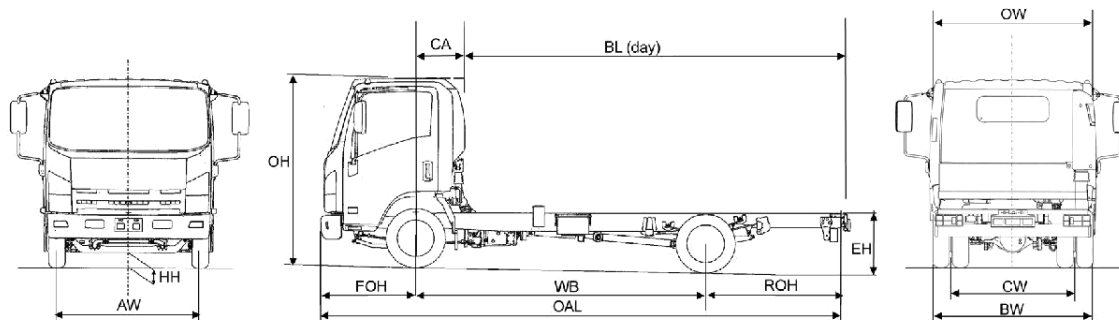
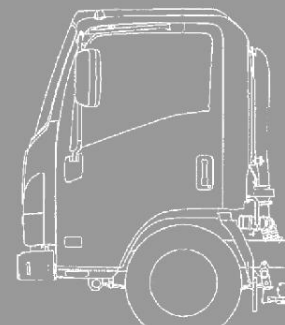


ISUZU N35.120(T)

3.5T GVW

(Manual transmission) 4x2 rigid twin rear wheels

EURO 5b+

Standard vehicle
plated weights (kg)

GVW	3500
GTW	7000

Axle design weights (kg)

Front	2100
Rear	2435

Weights (kg)

Cab type		day(N)*	day(N)*	day(W)*	Crew E5b+
Wheelbase	WB	2480	3350	3395	3350
Vehicle Mass Unladen	Front	1445	1445	1510	1550
	Rear	495	535	635	625
Total		1940	1990	2145	2175
GVW		3500	3500	3500	3500
Max. Permissible Trailer Weight		3500*	3500*	3500*	3500*
Body & Payload Allowance		1560	1510	1355	1325

Dimensions (mm)

Overall Length	OAL	4735	6025	6100	6025
Overhang - Front	FOH	1110	1110	1110	1110
Overhang - Rear	ROH	1145	1565	1595	1565
Cab Gap	CB	130	130	130	
C/L Front Axle to Rear of Cab	CA	463	463	573	
Recommended Body Length	BL	3200	4267	4267	
Chassis Frame Width		700	700	700	700
Recommended Maximum Body Width		1982	1982	2315	1982
Cab Width	OW	1770	1770	2040	1770
Overall Height (Unladen)	OH	2140	2150	2225	2225
Chassis Height (Unladen)	EH	730	730	720	735
Minimum Road Clearance	HH	165	165	165	165
Track - Front	AW	1475	1475	1680	1475
Track - Rear	CW	1425	1425	1485	1425
Rear Axle Width	BW	1855	1855	2040	1855

* Driver licence and tachograph regulations apply.

* day(N) – Narrow Cab * day(W) – Wide Cab

1. Unladen weights include driver 75kg, 90% fuel. (Tolerance + 3%).

2. Body lengths are given as a guide only. Bodybuilders are responsible for ensuring all legal requirements are met.

3. Maximum body lengths are calculated to remain within the maximum permitted overhang of 60% of the wheelbase. Cab gaps may vary.

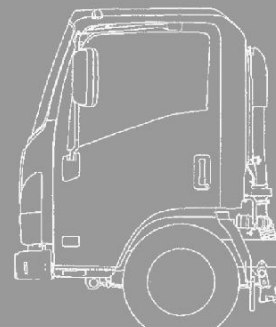
4. Isuzu Ireland shall have no liability whatsoever should the information supplied have incorrect data, descriptions or illustrations.

ISUZU N35.120(T)

3.5T GVW

(Manual transmission) 4x2 rigid twin rear wheels

EURO 5b+



Mechanical Specification (standard equipment)

Engine 4JJ1TC

Isuzu turbo intercooled
DOHC 4 cylinder diesel
(Euro 5b+)

Bore: 95.4mm

Stroke: 104.9mm

Capacity: 2999cc

Max Power: 88kW

(120 PS) at 2800rpm

Max Torque: 300Nm at
1600rpm

Injection Type: Common
rail

Euro 5b+ Compliance:
EGR (Exhaust Gas
Recirculation) with
DPD (Diesel Particulate
Diffuser), Fuel cooler and
OBD

Fuel Tank

Capacity: 92 litres

Transmission

5-speed synchromesh

MY5T overdrive

Ratios: 1st 5.315:1
2nd 5.315:1
3rd 1.655:1
4th 1.000:1
5th 0.721:1
reverse 5.068:1

Rear Axle Ratio: 3.909:1

Tyres: 205/75 R16C radial

Wheels: 5.50J x 16, 5-stud

Cab Exterior

Aerodynamic Isuzu

Hexapod design w hite all-
steel cab

Manual tilt to 45 deg

Laminated w indscreen

Plastic resin non-slip entry
steps

90 deg. opening cab doors

Zinc galvanised cab frame
structure

2 flush mounted halogen

headlamps w ith side

mounted indicators

Front tyre mudguards w ith
spray suppression

Steel reinforced composite

front bumper w ith fog

and day time running

lamps

Keyless door entry and
immobiliser

Aluminium rear bumper

Frame

Ladder type channel
section straight side rails,
riveted upper flanges

Cooling

Radiator: Tube and fin
type w ith fan and viscous
clutch

Clutch

300mm diaphragm type
w ith hydraulic actuation

Cab Interior

Flame-resistant interior
trim

Vinyl floor matting

Pillar mounted entrance
grab handles both sides
SRS air-bags driver and
passenger

Seats (all cloth)

Drivers fully adjustable
w ith head restraint
Dual passenger seat w ith
folding back

Driver and outer

passenger retractable

diagonal seat belts, w ith

pre-tensioner

Centre seat lap belt

3 passenger rear seat

(crew cab) w ith lap belts

Vision

Large foldable door

mirrors

Interior rear view mirror

on collapsible mounting

Driver and passenger sun

visors

Deep cut side w indow s to

reduce blind spots

Electric w indow s w ith

driver control

Heating & Ventilation

4-speed blow er

Multiple cab vents

Axles

Front: Reverse Elliott

I-Beam

Rear: Banjo fully floating

Suspension

Front: Semi elliptical alloy
steel leaf springs and
hydraulic shock absorbers

Rear: Semi elliptical
alloy steel leaf springs

w ith hydraulic double

acting telescopic shock

absorbers

Steering

Recirculating ball type

w ith full integral hydraulic

power assistance

Tilt and telescopic steering

column

Brakes

System: Divided hydraulic
servo-assisted w ith ABS,
ASR, EVSC

Front: 293mm ventilated

discs w ith asbestos-free

pads

Rear: 275mm ventilated

discs w ith asbestos-free

pads

Park: Mechanical drum

brake rear of transmission

Instruments

Speedometer w ith

odometer and trip

Rev counter

Fuel gauge

Engine coolant

temperature

Switches & Electrical

Steering column mounted

combination sw itches for

indicators, headlamps

(high beam), side and rear

fog lights

Wiper and washer

(2-speed and intermittent)

Steering wheel horn

Engine idle control

Hazard lights

Head lamp levelling

Interior light

Key operation for quick

cold start, start and stop

Engine quick warm-up

Cigarette lighter

Central locking

Reverse warning

DPD engage

Front fog lights

EV SC off

ASR off

Heater stage

Warning/Indicator Lamps

Battery charge

Oil pressure

Low fuel

Glow plug operation

High beam and indicators

Parking brake on

Fuel/w ater separator

Check engine

DPD operation

Engine over heat

EV SC

ABS

Front and rear fog

SVS

Seat belt

Brake system

SRS air bag

Brake vacuum loss

Tool Kit

Jack, w ith a small

selection of hand tools

Radio

Radio / CD Player

package

Storage Space

Compartment box

Centre console trays

Door pockets

Centre facia pockets

Pop out type cup holder

Overhead roof shelf

Drivers seat back pocket

Card holder

Ancillaries

Starter: Reduction type 24

V – 4.0kW

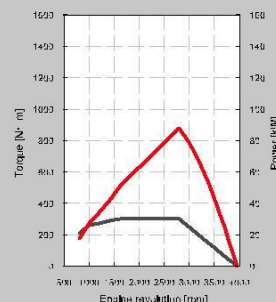
Alternator: 24 V – 50 Amp

Quick Start: 4 glow plugs

on start relay

Battery: 2 x 12 V – 75 AH

(maintenance free)



The following optional items are available:

- Isuzu Branded Mats
- Suspension Seat
- Satellite Navigation
- Reversing Aids
- Digital Tachograph
- Road Speed Limiter
- PTO Switch
- Telematics

For further information
please contact your local
dealer, ring us directly on

(01) 4194500

Or visit our website

www.isuzu-ireland.com

Isuzu Ireland,
Naas Road
Dublin 12,

ISUZU